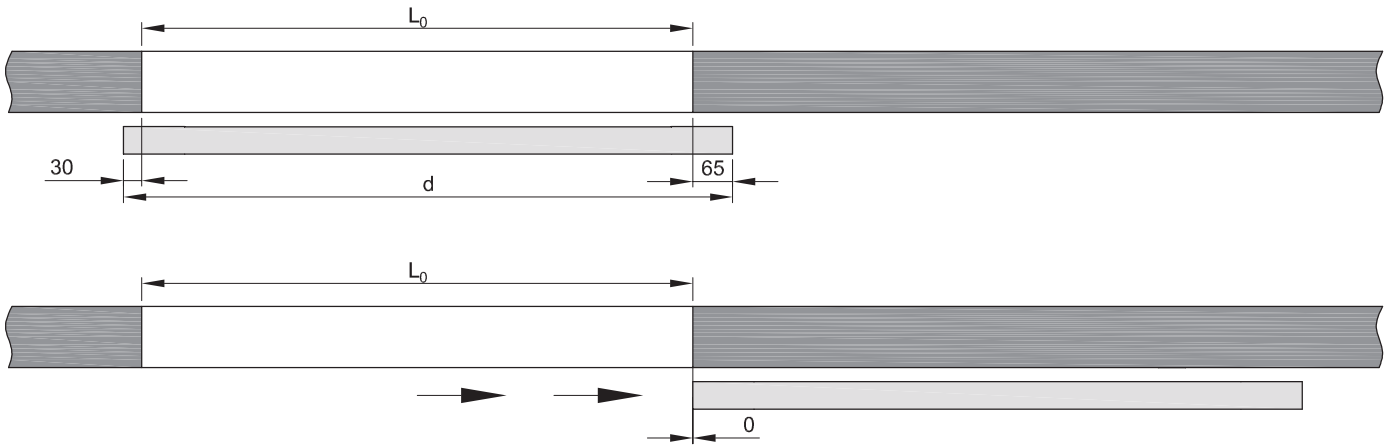
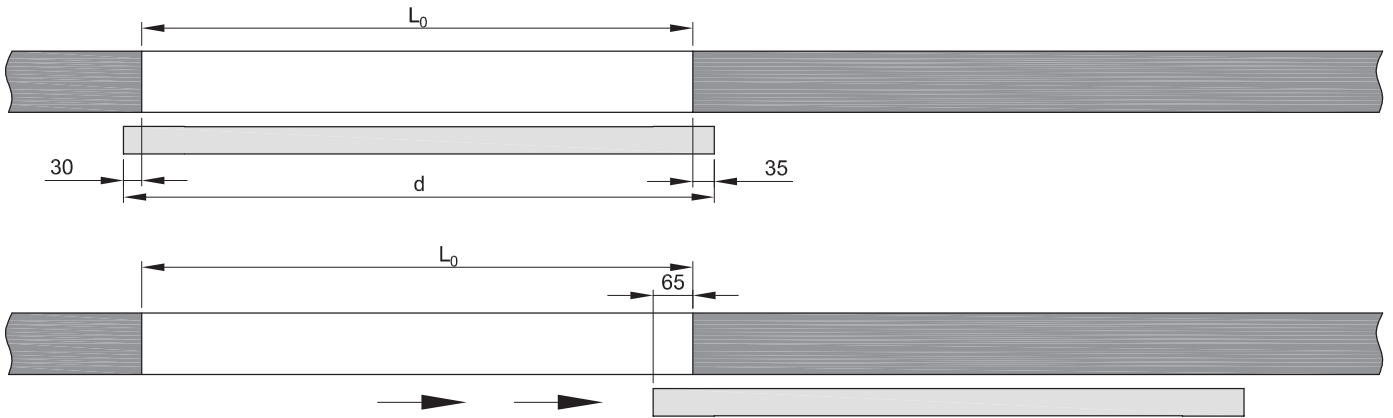


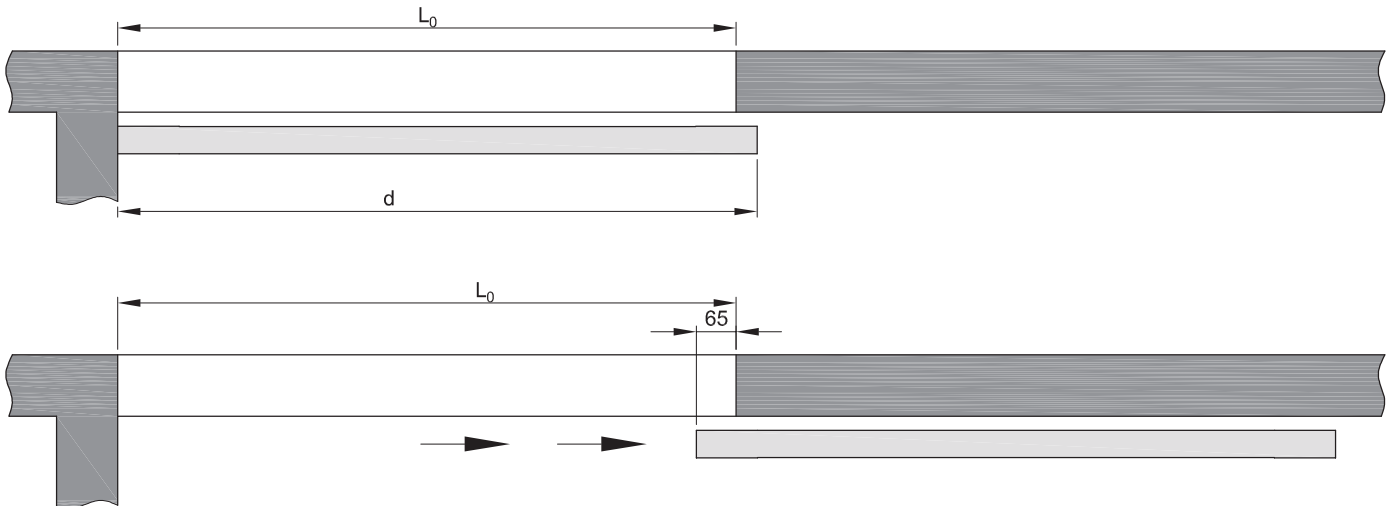
(A)  $880 < d < 1035$



(B)  $875 < d < 1050$

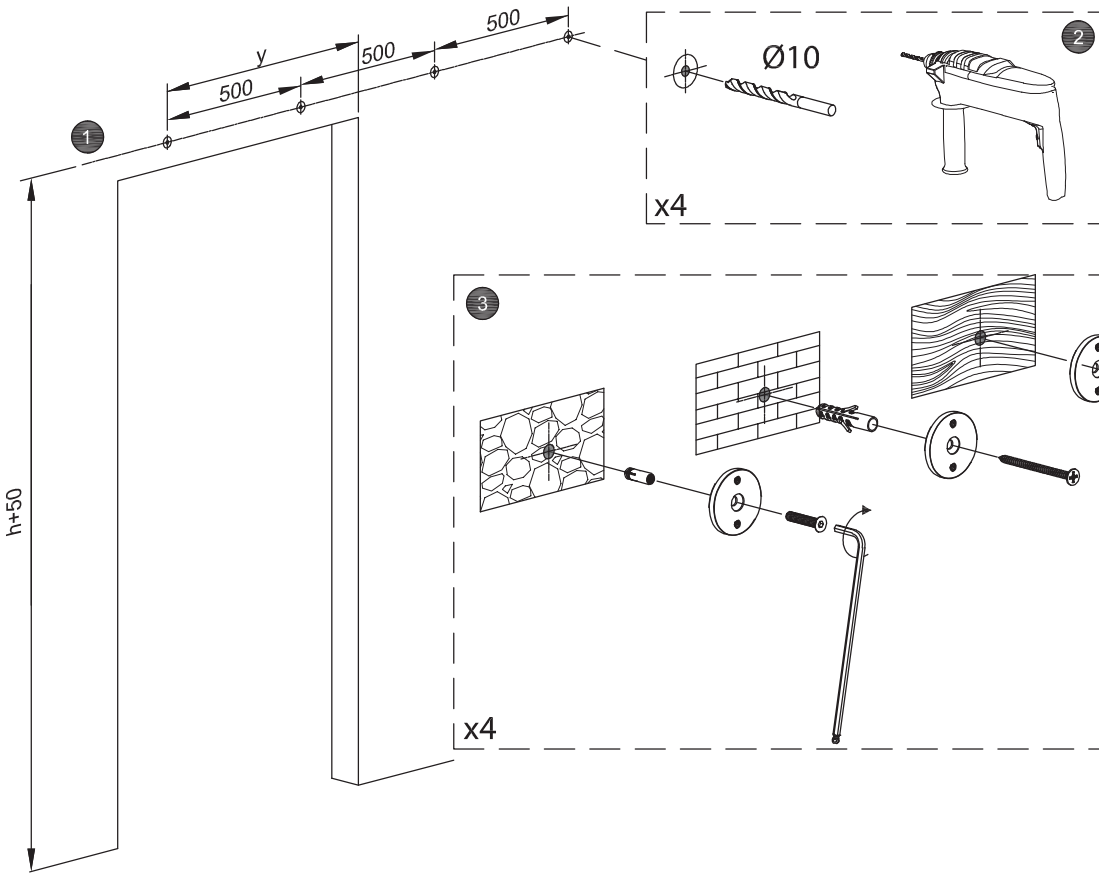
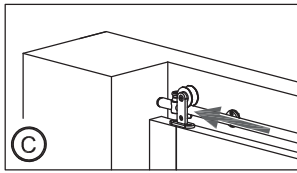


(C)  $975 < d < 1050$

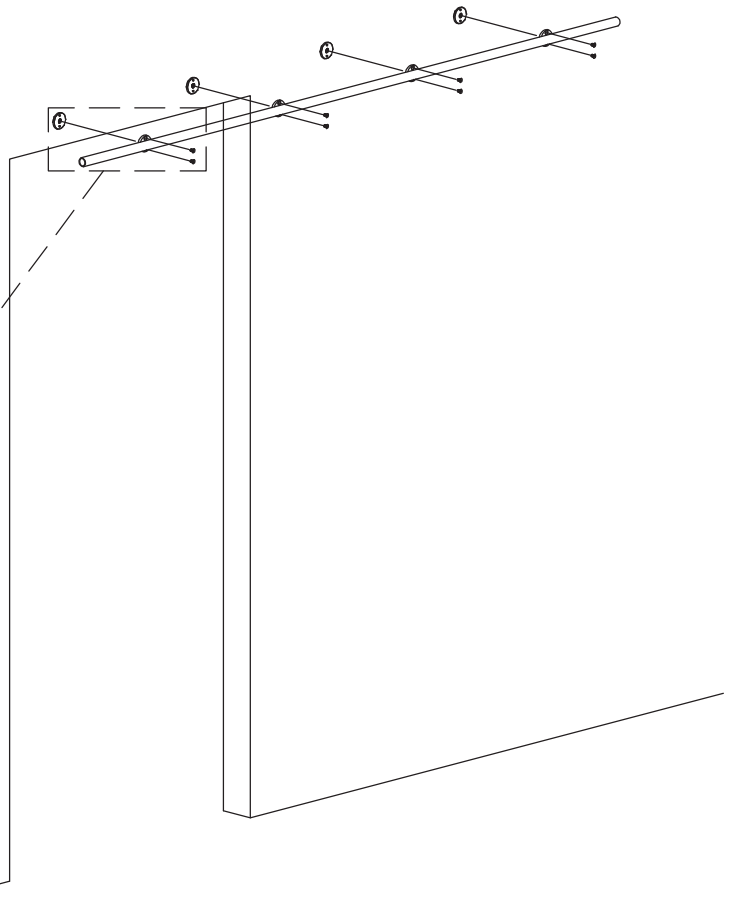
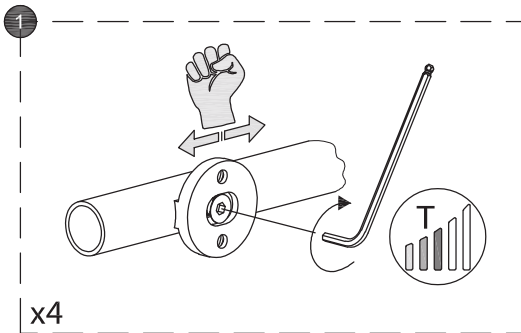


1

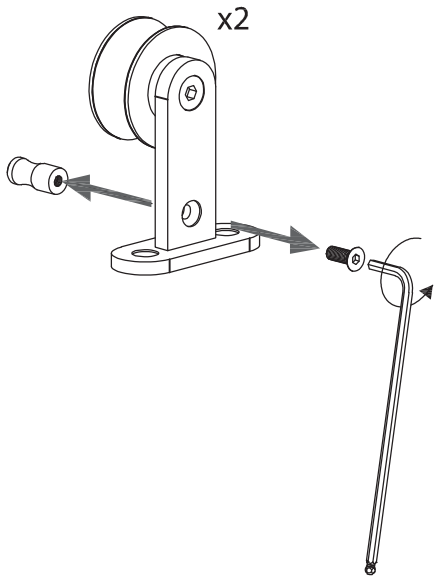
- (A) y=717
- (B) y=765



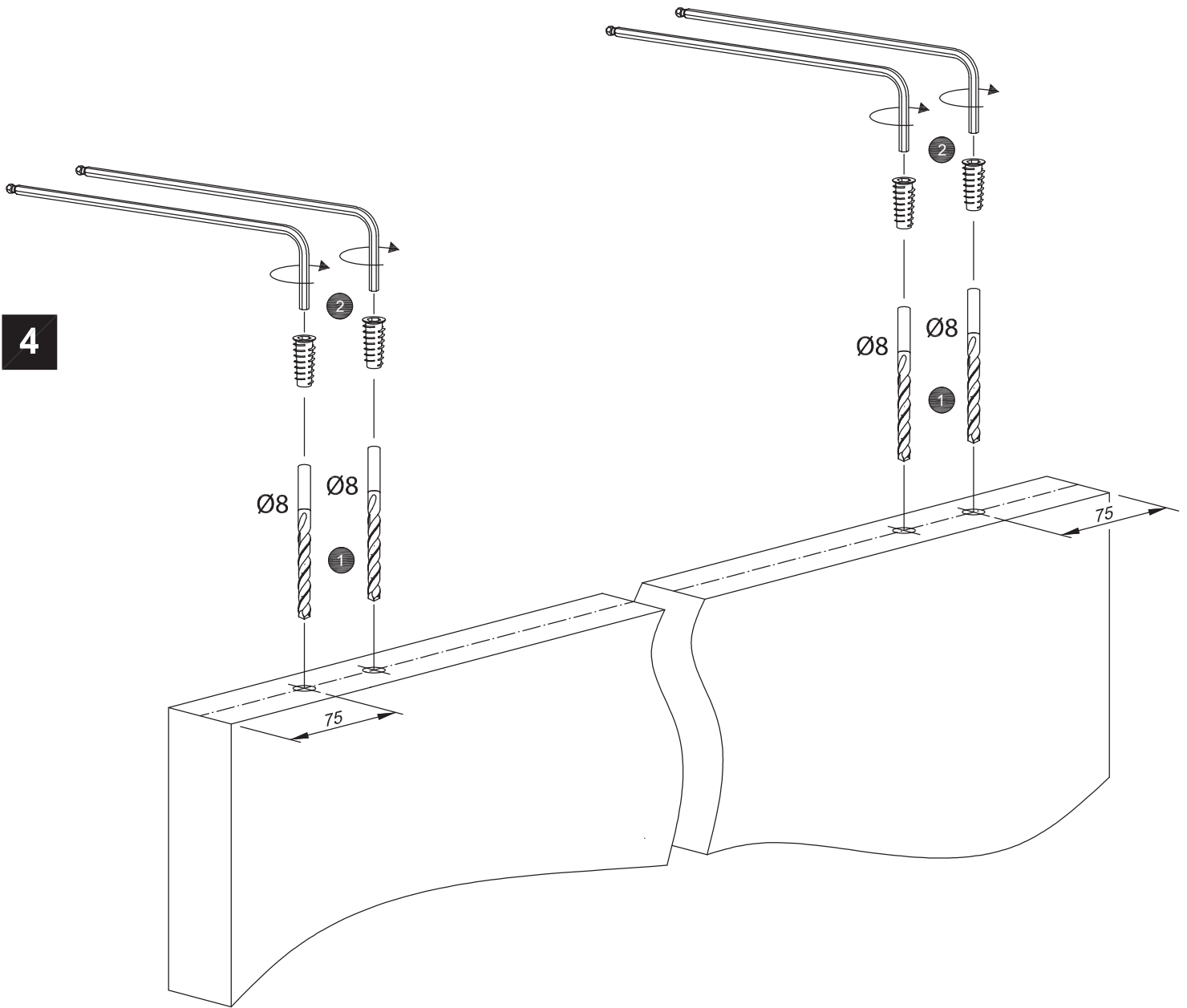
2



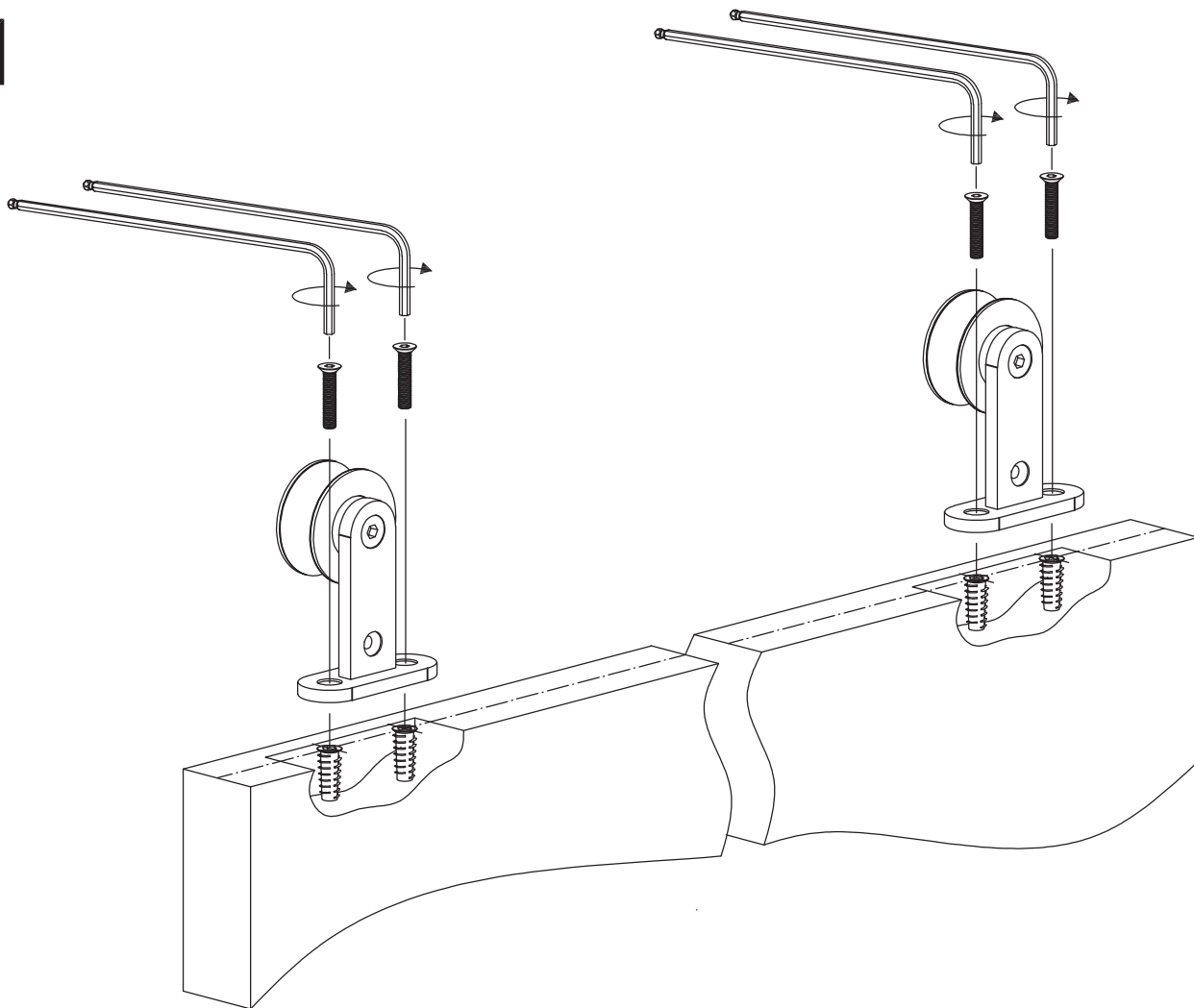
3



4



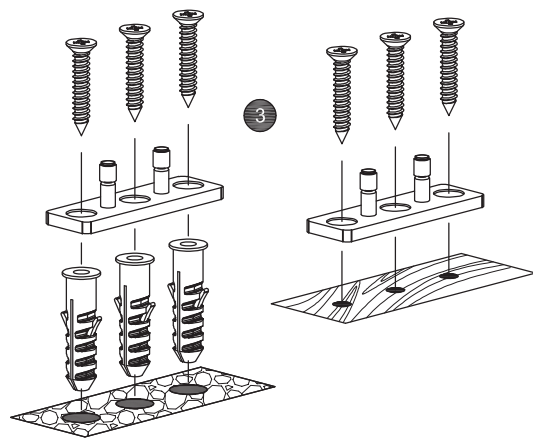
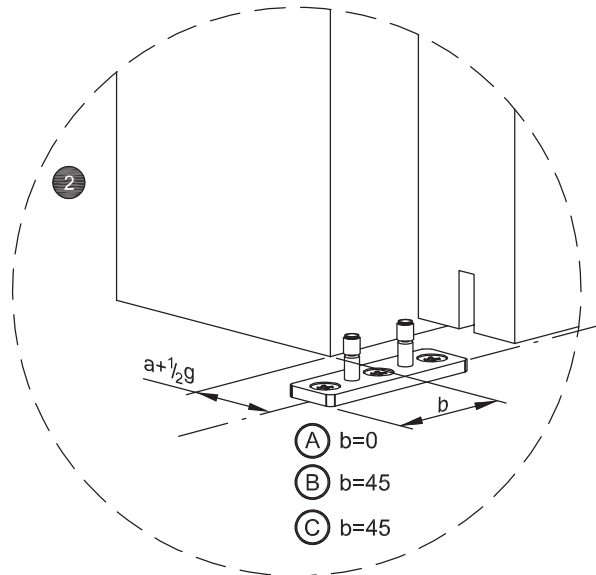
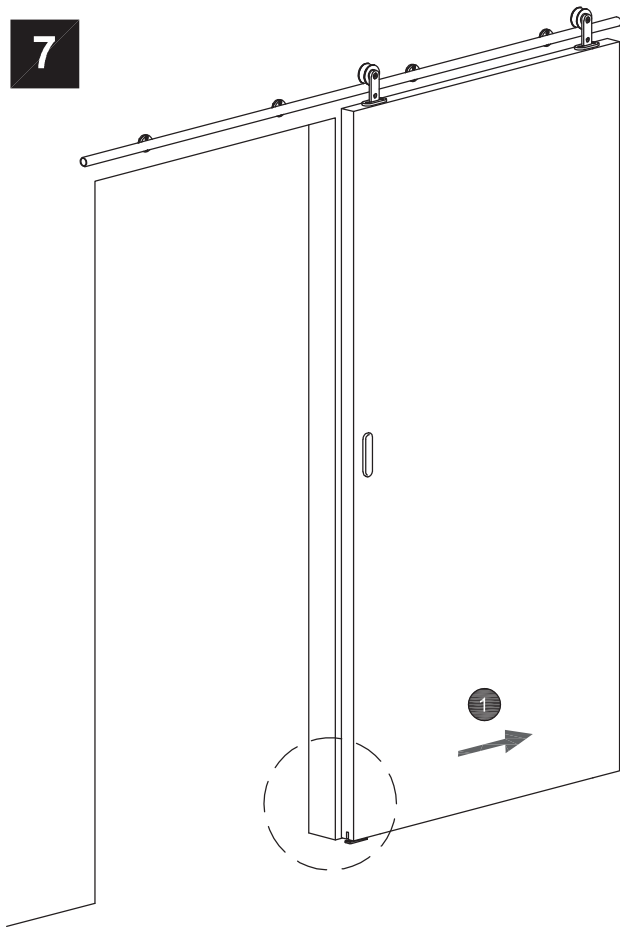
5



6



7



8

