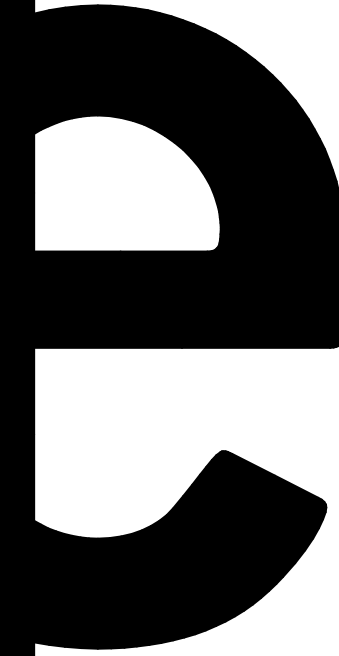


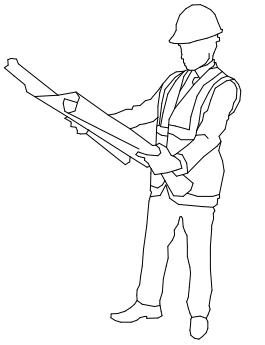
Ermetika®
www.ermetika.it
Tel. +39.0883.535781

Ermetika © all rights reserved. The reproduction and total or partial use, in any form and/or with any means, of the documentation is allowed to nobody without a written permission by Ermetika Srl.

KIT PINZE PER ANTA VETRO SCORREVOLE A SCOMPARSA

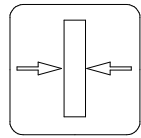


- Ⓘ ISTRUZIONI MONTAGGIO PINZE PER ANTA VETRO
- Ⓕ INSTRUCTIONS MONTAGE KIT PINCES POUR PORTE EN VERRE
- ⒼB SET UP INSTRUCTIONS SLIDING KIT FOR SLIDING DOOR
- ⒺS INSTRUCCIONES DE MONTAJE KIT PINZAS PARA PUERTAS DE VIDRIO



1

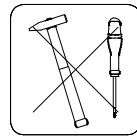
caratteristiche tecniche - caracteristiques techniques - technical features - caracteristicas tecnicas



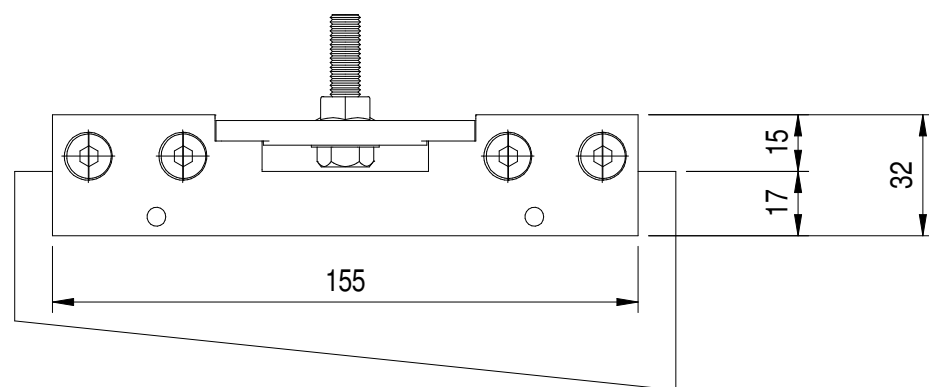
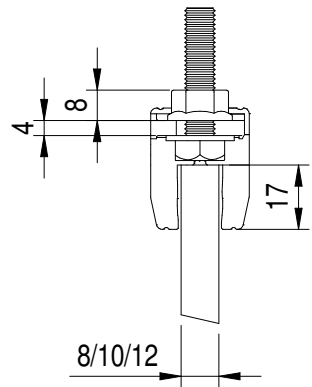
8 - 12 mm



250 KG
senza spinotti di sicurezza -
sans supports de securite -
without top patches - sin
soportes de seguridad



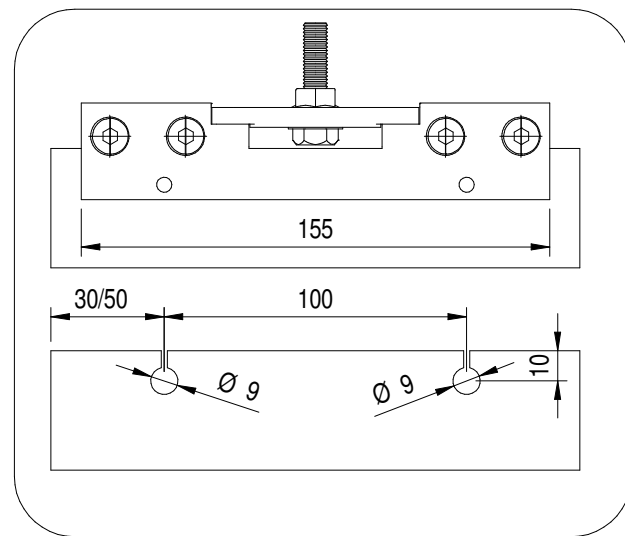
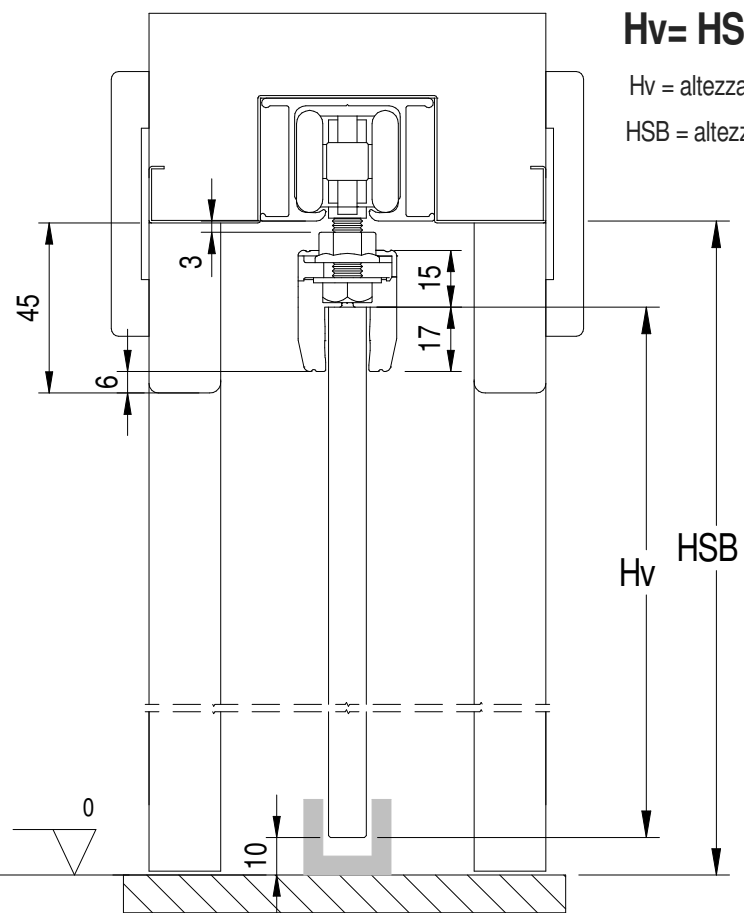
EASY



Hv= HSB - 33 mm

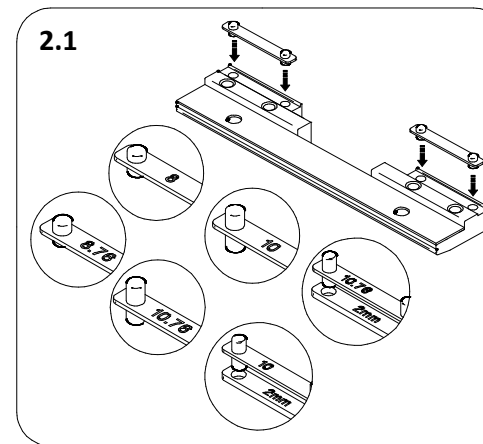
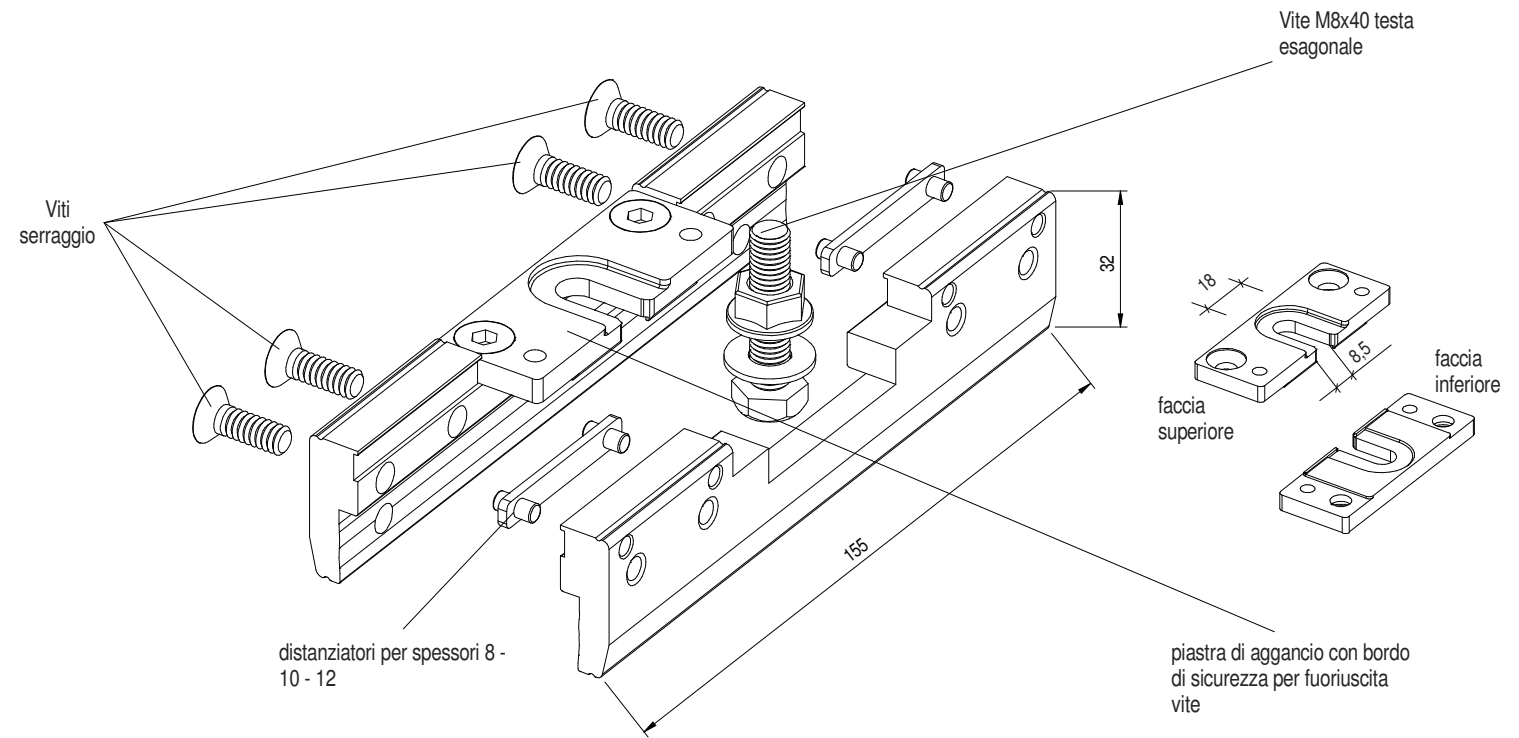
Hv = altezza vetro - hauteur verre - glass height - altura vidrio

HSB = altezza sotto binario - hauteur sous rail - under rail height - altura bajo guia

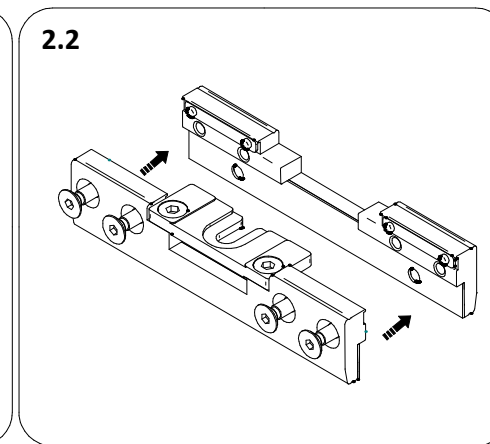


- Optional -

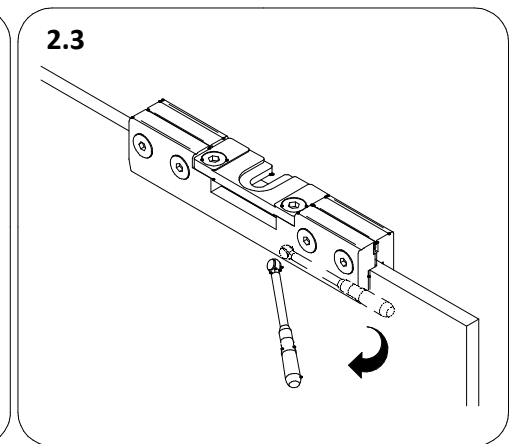
2



Distanziatori per vetro -
entretoises pour verre -
spacers for glass doors -
distanciales para vidrio



Assemblaggio pinza -
assemblage pince -
clamp assembling -
ensamblaje pinza



Serraggio pinza - installation
pince au verre - clamp setting
up on panel - instalacion pinza
al vidrio