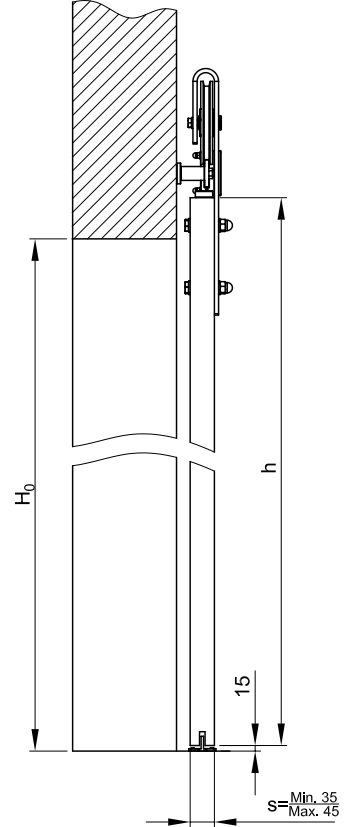
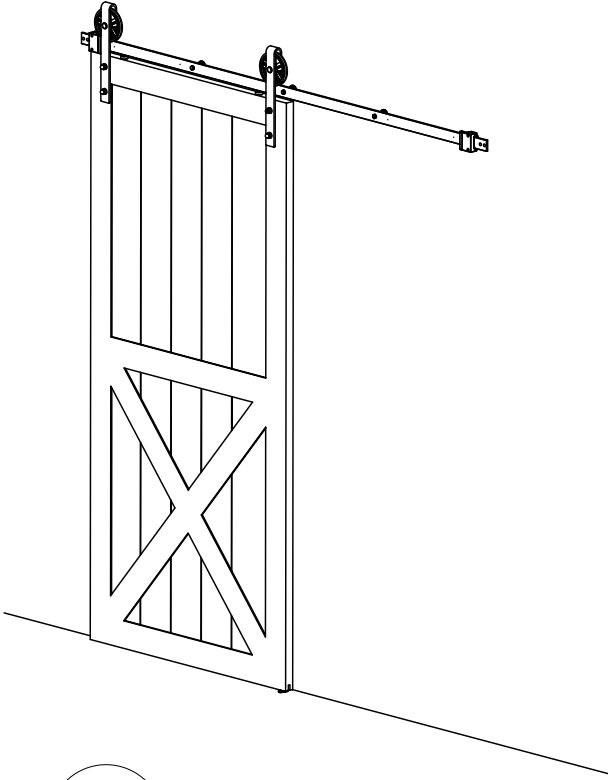
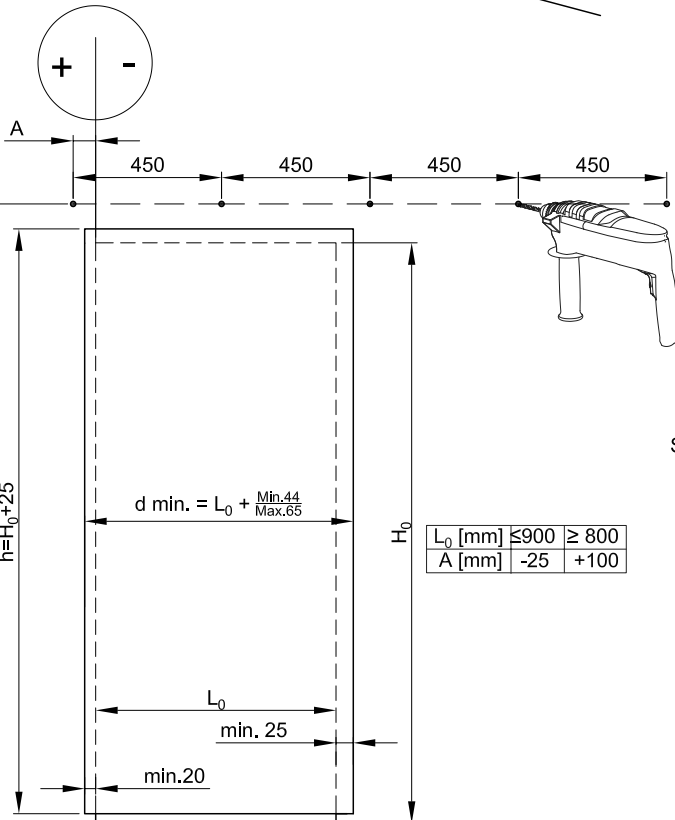




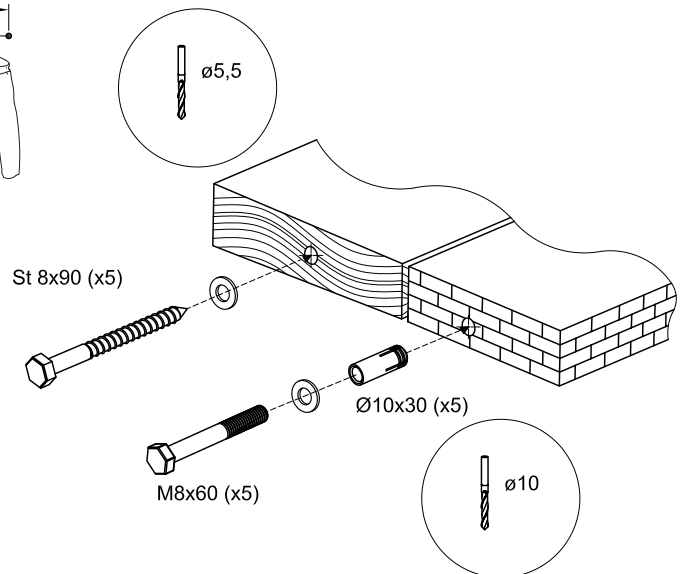
- x1
- x2
- x5
- x2
- x2
- x1
- M10x60 x4
- M10x55 x4
- M10 x4
- St8x90 x5
- M8x30 x5
- M8x60 x5
- St4,2x25 x2
- Ø6x30 x2
- 100 KG



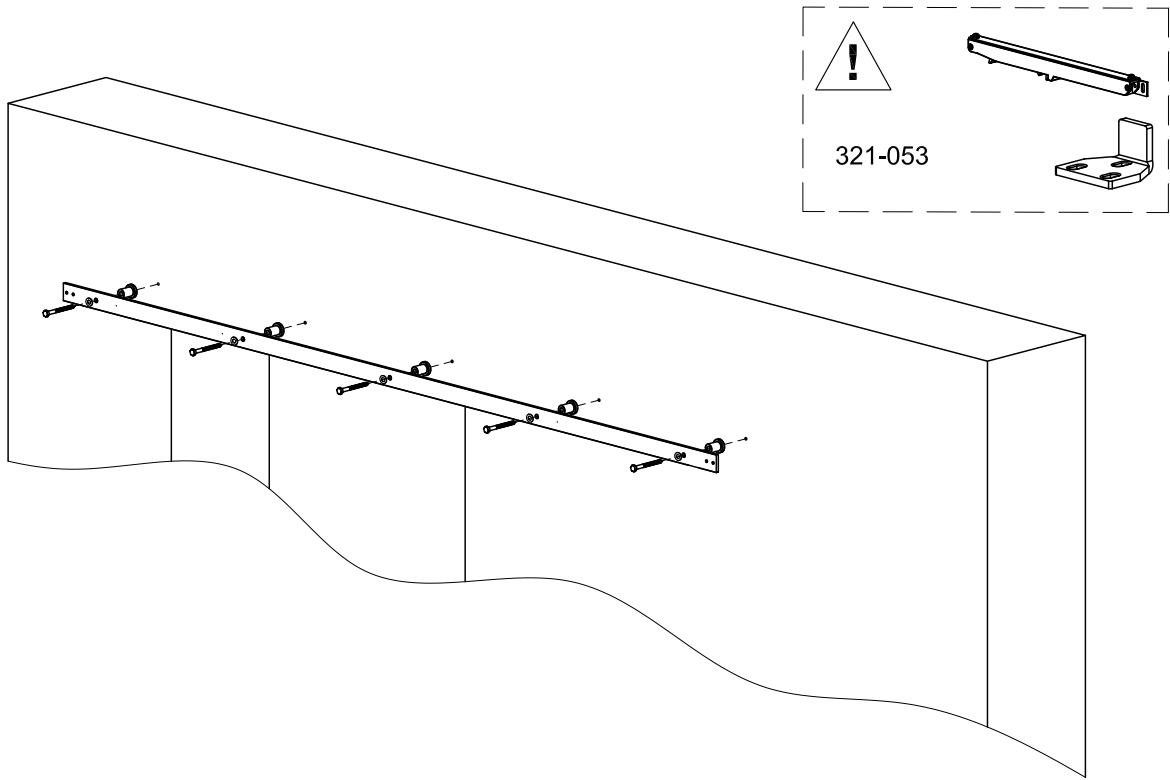
**1**



$L_0$ [mm]	$\leq 900$	$\geq 800$
A [mm]	-25	+100



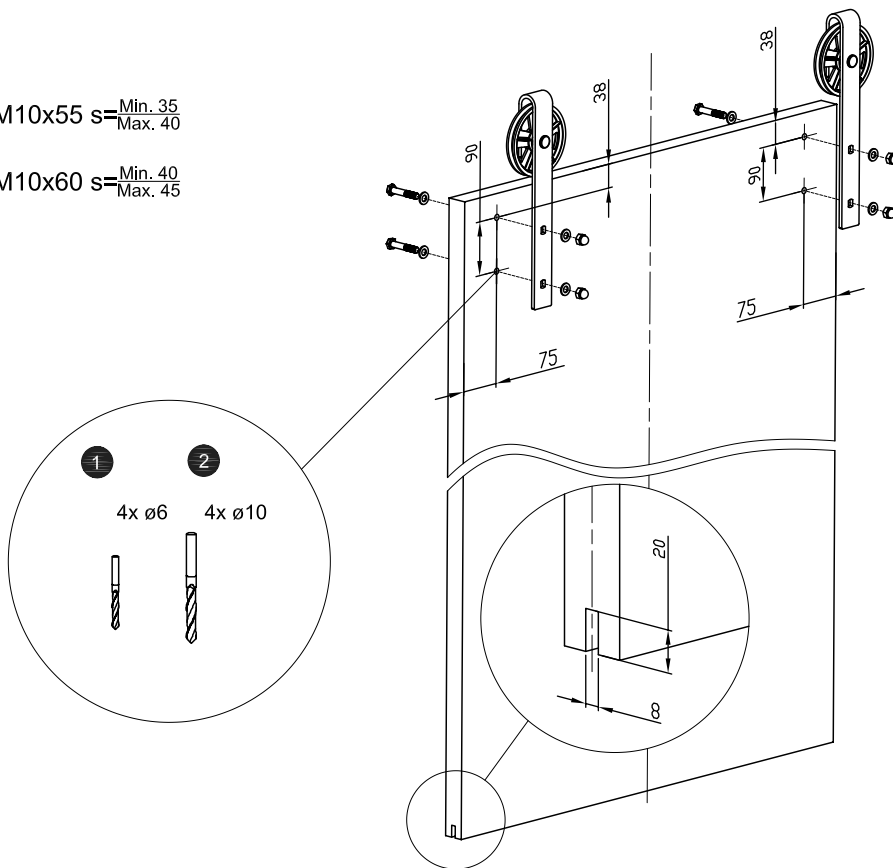
2



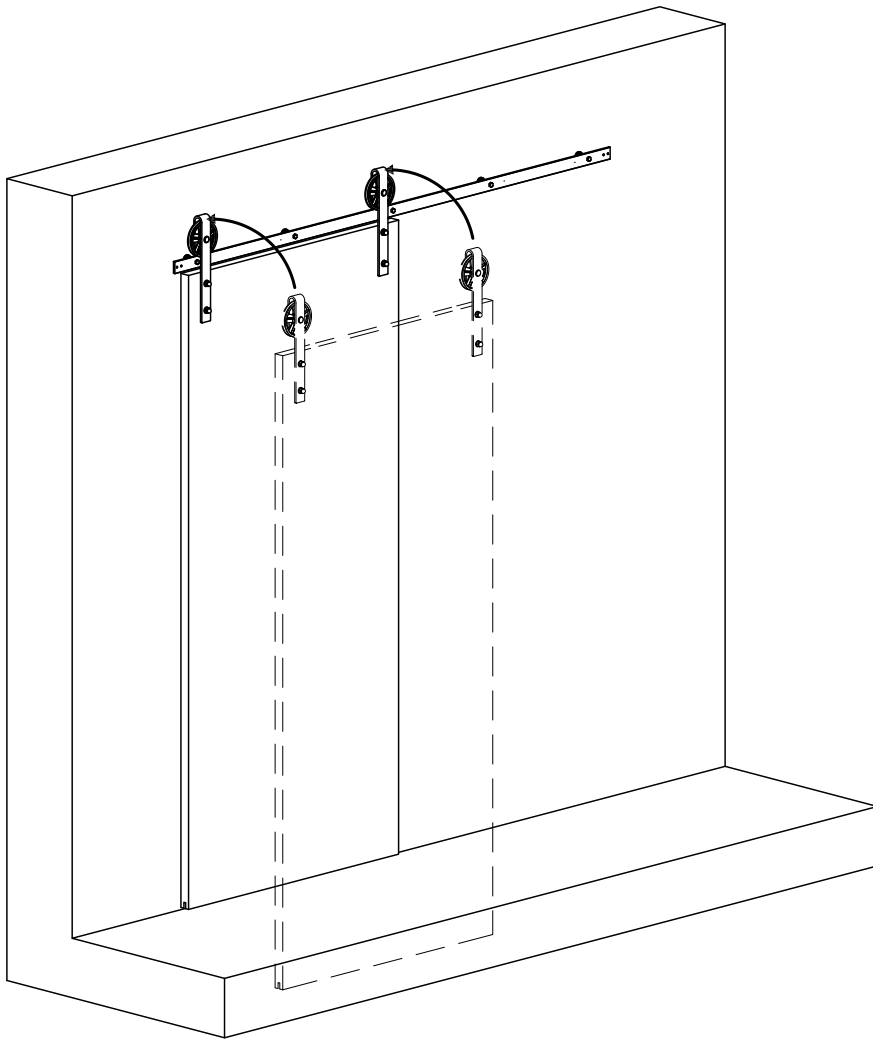
3

M10x55 s= $\begin{matrix} \text{Min. } 35 \\ \text{Max. } 40 \end{matrix}$

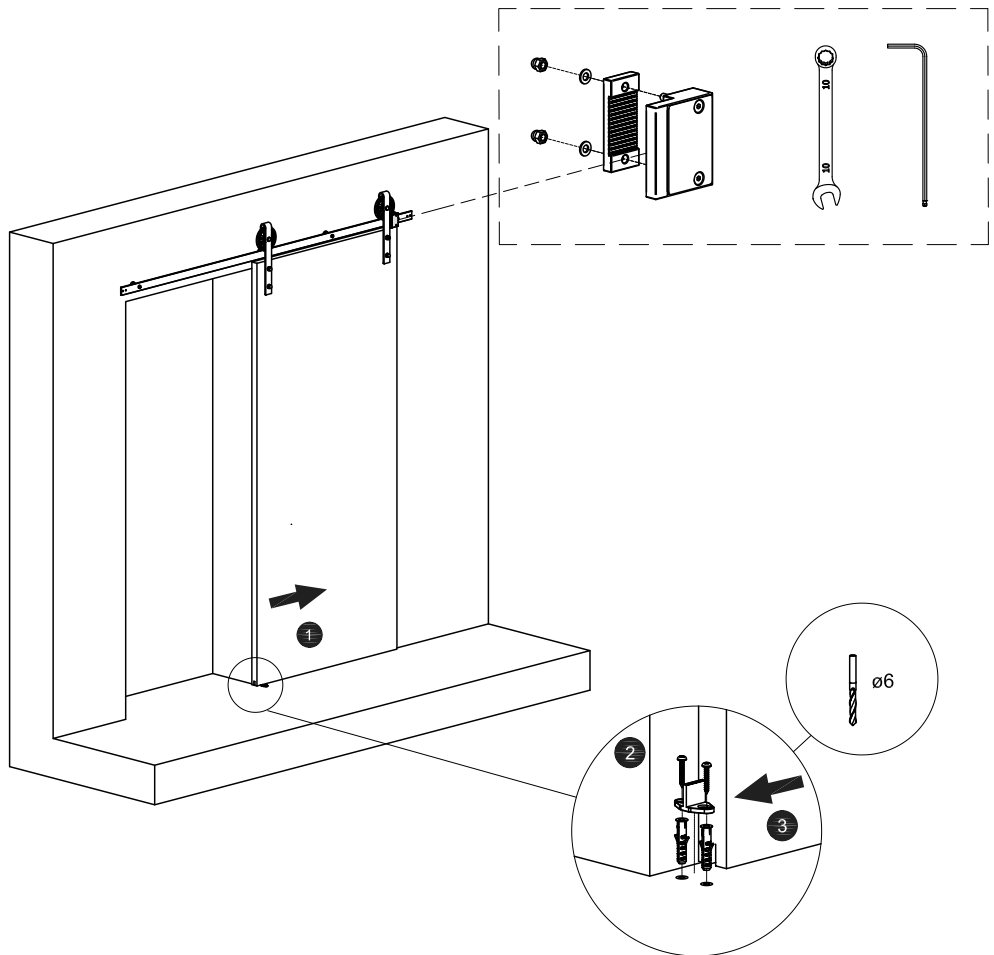
M10x60 s= $\begin{matrix} \text{Min. } 40 \\ \text{Max. } 45 \end{matrix}$



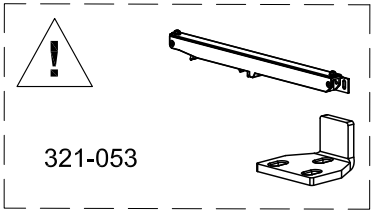
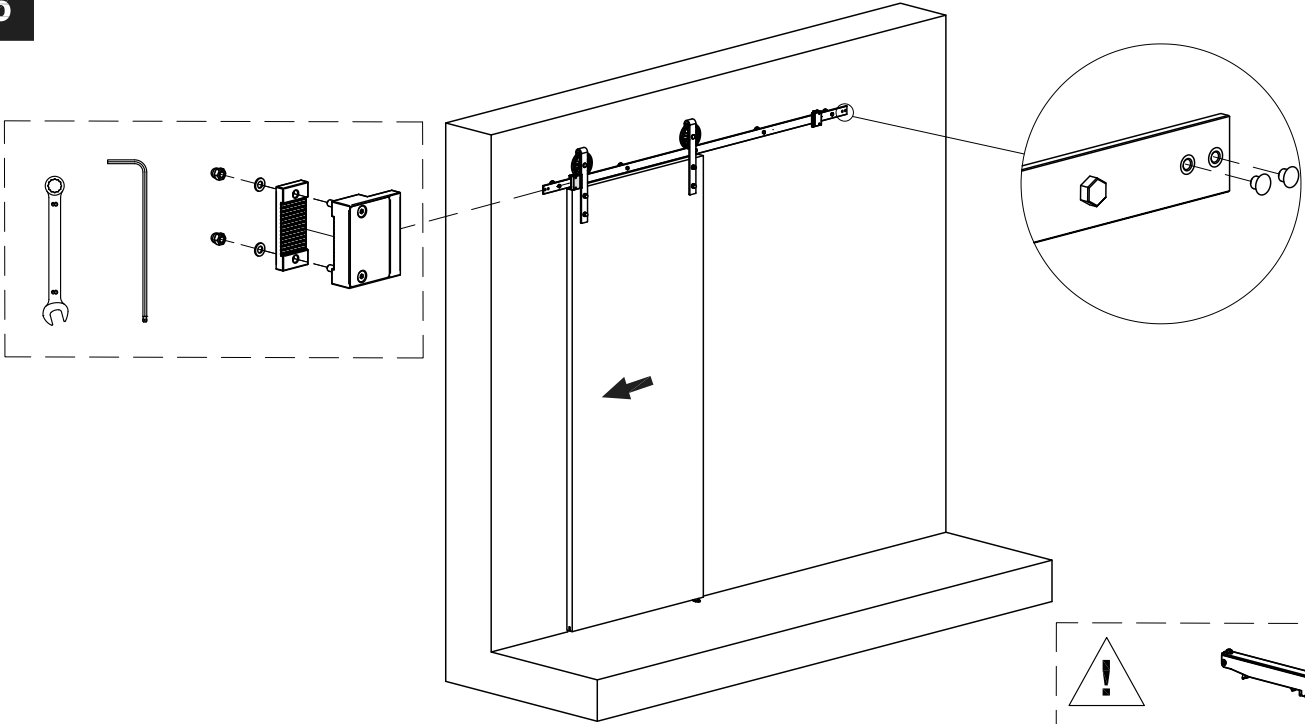
4



5



6



7

